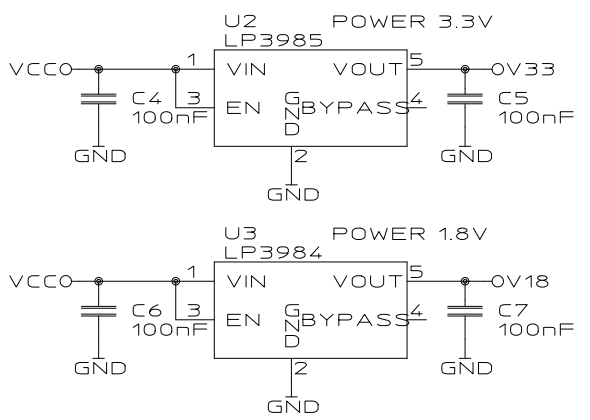
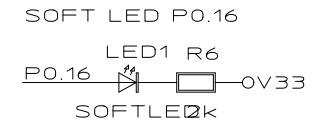
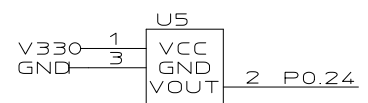


PIN USAGE:

- P0.14 BOOTMODE
- P0.16 SOFTLED
- P0.22 SERIALNUMBER
- P0.23 SPIFLASH
- P0.24 TEMPERATURE



TEMPERATURE SENSOR ANALOG



SILICON SERIAL NUMBER

